

REMINGTON®

S16A Series
Twist & Curl Multi Styler



Use and Care Guide

Product may vary slightly from what is illustrated.

Register Your New Product Today!

By registering your new Remington® product, you will receive special offers.
Register online at: RemingtonProducts.com

IMPORTANT SAFETY INSTRUCTIONS

When using electrical appliances, especially when children are present, basic safety precautions should always be followed, including the following:

READ ALL INSTRUCTIONS BEFORE USING.

KEEP AWAY FROM WATER.

DANGER

As with most electrical appliances, electrical parts are electrically live even when switch is off.

To reduce the risk of death by electric shock:

- Always unplug this appliance from the electrical outlet immediately after using.
- Do not use while bathing or in the shower.
- Do not place or store this appliance where it can fall or be pulled into a tub or sink.
- Do not place in or drop into water or other liquid.
- If an appliance falls into water, "unplug it" immediately. Do not reach into the water.
- Unplug this appliance before cleaning it.

WARNING

To reduce the risk of burns, fire, electric shock or injury to persons:

- An appliance should never be left unattended when it is plugged in.
- Close supervision is necessary when this appliance is used by, on, or near children or individuals with certain disabilities.
- Use this appliance only for its intended use as described in this manual. Do not use attachments not recommended by Spectrum Brands, Inc.
- Never operate this appliance if it has a damaged cord or plug, if it is not working properly, if it has been dropped or damaged, or if it has been dropped into water. Return the appliance to a service center for examination and repair.
- Keep the cord away from the heated surfaces. Do not wrap the cord around the appliance.
- Never use while sleeping.
- Never drop or insert any object into any of the appliance's openings.
- Do not use outdoors or operate where aerosol (spray) products are being used, or where oxygen is being administered.
- Do not use an extension cord.
- This appliance is hot when in use. Do not let eyes or bare skin touch heated surfaces.

- Do not place the heated unit directly on any surface while it is hot or plugged in.
- The plug on this appliance has one blade wider than the other, it is a polarized plug. As a safety feature, this plug will fit in a polarized outlet only one way. If the plug does not fit fully in the outlet, reverse the plug. If it still does not fit contact a qualified electrician. Do not attempt to defeat this safety feature.

- Always store this appliance and cord in a moisture-free area. Do not store it in temperatures exceeding 140°F (60°C).
- This appliance is for household use only.
- Do not plug or unplug this appliance when your hands are wet.



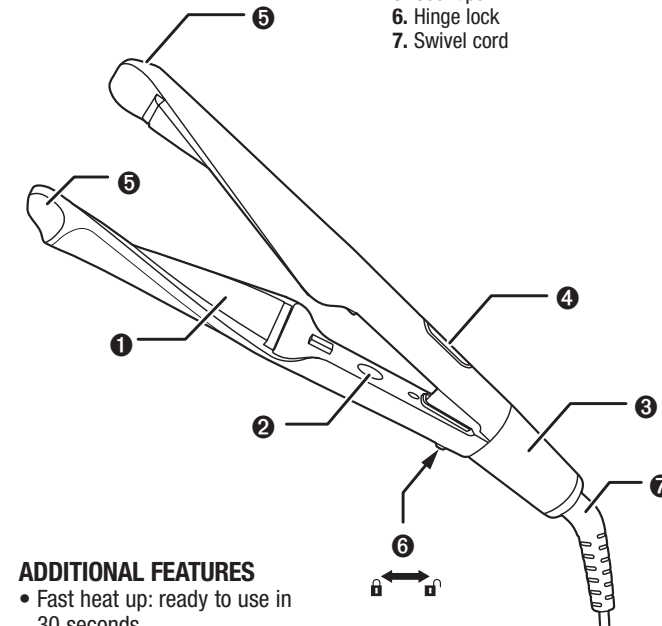
KEEP AWAY FROM CHILDREN

SAVE THESE INSTRUCTIONS

PRODUCT FEATURES

Thank you for purchasing this Remington® Twist & Curl Multi Styler. Please carefully read the instructions contained in this booklet, and keep them in a safe place for future reference.

1. Ceramic titanium coated plates
2. On-off switch
3. Heat Control Sensor dial
4. Temperature display
5. Cool tips
6. Hinge lock
7. Swivel cord



ADDITIONAL FEATURES

- Fast heat up: ready to use in 30 seconds.
- Automatic safety shut off: this unit will switch itself off if no button is pressed or it is left on after 60 minutes.

HOW TO USE

- Before use, ensure the hair is clean, dry and tangle-free.
 - Section the hair prior to styling. Style the lower layers first.
1. Press and hold the on/off button to switch on.
 2. To activate Heat Control Sensor twist and hold the temperature dial all the way to the right for 2 seconds. The numbers/digits are illuminated blue for normal function and will change to red, reading "HC" when the sensor is activated.
To turn off, twist and hold the temperature dial all the way to the right again. The temperature display will change back to original color.
 3. Select the appropriate temperature for your hair type. To increase or decrease the temperature, twist the temperature control left ◀ or right ▶ then release it. As you twist the temperature control the temperature will be displayed on the temperature display.
IMPORTANT: To prevent accidental temperature changing, the temp control can be locked by twisting the dial all the way to the left and holding for 2 seconds (the lock symbol will appear on the display). When ready to unlock, you must again twist the dial all the way to the left and hold for 2 seconds. (The lock symbol will disappear and the temp control will work normally.)
 4. The temperature display will stop flashing when the appliance is ready to use.

Recommended Temperatures

Temperature	Hair type
300°F - 340°F (150°C - 170°C)	Thin/fine, damaged or bleached hair
340°F - 410°F (170°C - 210°C)	Normal, healthy hair
410°F - 450°F (210°C - 230°C)	Thick and difficult-to-style hair

HOW TO USE (CONTINUED)

Smooth Straight:

Tip: Section hair into manageable sections and spray with desired pre-styling products.

1. Take a 2 inch section of hair and place it between the plates near to the roots.
2. Close the plates and steadily glide down the entire length of the hair without stopping.
3. Repeat this around the head.

Smooth Straight



Beachy Waves or Bouncy Curls

Style	Section Width	Movement Speed
Bouncy Curl	¾ inch (2 cm)	Very Slow
Soft Wave	1½ inch (4 cm)	Slow

The type of curl depends on size of section, speed at which you move the tool down the hair, and how much and the direction you twist.

Toward face



Away from face



Beachy Waves:

1. Clamp a 1"-1.5" size section of hair between plates near the roots. Rotate styler 180° and slowly glide down the remaining section in this position without stopping.
2. Remove the appliance and brush/comb through curl to loosen. Breaking up curls before they're fully cooled will loosen even further.
3. Repeat this around the entire head to create as many curls as desired.
4. Brush or finger comb through hair to loosen up curls if needed.

Beachy Waves



Bouncy Curls:

1. Clamp a .75-1" size section of hair between plates near the roots. Close plates and rotate styler 180° and glide down very slowly, continuing to twist if desired, without stopping.
2. Remove the appliance and allows curls to spring into shape.
3. Repeat this around the entire head to create as many curls as desired.
4. Allow hair to cool for longer lasting results

Bouncy Curls



Tips:



- Spray with desired pre and post styling products
- Section hair into manageable sections before styling
- Grip cool tip ends to help keep plates closed when gliding down sections
- Alternate twisting 180° away from your face and towards your face for a more undone, beachy look.
- Twisting all the curls away from your face will give a more polished, consistent curl result.
- You can hold the styler however feels comfortable

Memory Function

- Each time you use the product it will automatically set itself to the last temperature used.

STORAGE

Let the appliance cool down before cleaning and storing.

The plates can be locked together for easy storage: To lock, close the plates and slide the hinge lock to the locked  position. To unlock, slide the hinge lock to the unlocked  position.

NOTE: Do not heat the unit in the locked position.

CLEANING AND MAINTENANCE

- Unplug the appliance and allow to cool.
- Wipe all the surfaces with a damp cloth.
- Don't use harsh or abrasive cleaning agents or solvents.

Never wrap the cord around the appliance, since this will cause the cord to wear prematurely and break, thus voiding warranty. Handle the cord carefully and avoid jerking, twisting, or straining it, especially at plug connections.

WARRANTY

Limited FIVE-Year Warranty

Spectrum Brands, Inc. warrants this product against any defects that are due to faulty material or workmanship for a five-year period from the original date of consumer purchase. This warranty does not include damage to the product resulting from accident or misuse.

If the product should become defective within the warranty period, we will replace it free of charge. Return your product and sales receipt with your name, address and day time phone number to: Remington Returns Center, 507 Stokely Dr., P.O. Box 1, Deforest, WI 53532. For more information call 800-736-4648.

KEEP ORIGINAL SALES RECEIPT AS PROOF OF PURCHASE FOR WARRANTY PURPOSES.

This warranty does not cover products damaged by the following:

- Accident, misuse, abuse or alteration of the product
- Servicing by unauthorized persons
- Use with unauthorized accessories
- Connecting it to incorrect current and voltage
- Wrapping cord around appliance causing premature wear and breakage
- Any other conditions beyond our control

No responsibility, obligation, or liability is assumed for the installation or maintenance of this product.

SPECTRUM BRANDS, INC. SHALL NOT BE RESPONSIBLE FOR ANY INCIDENTAL, SPECIAL OR CONSEQUENTIAL DAMAGES RESULTING FROM THE USE OF THIS PRODUCT. ALL IMPLIED WARRANTIES, INCLUDING BUT NOT LIMITED TO IMPLIED WARRANTIES OF FITNESS AND MERCHANTABILITY, ARE LIMITED IN DURATION TO FIVE YEARS FROM DATE OF ORIGINAL PURCHASE.

This warranty gives you specific legal rights and you may also have other rights which vary from state to state or province to province. Some states do not allow the exclusion or limitation of incidental, special or consequential damages.

This warranty shall not be valid where it is contrary to U.S. and other applicable laws, or where the warranty would be prohibited under any economic sanctions, export control laws, embargos, or other restrictive trade measures enforced by the United States or other applicable jurisdictions. This includes, without limitation, any warranty claims implicating parties from, or otherwise located in, Cuba, Iran, North Korea, Syria and the disputed Crimea region.

Spectrum Brands, Inc. Money-back Offer

If within 30 days after you have purchased your Remington® branded product, you are not satisfied and would like a refund, return it with the sales slip indicating purchase price and date of purchase to the retailer from whom it was purchased. Spectrum Brands, Inc. will reimburse all retailers who accept the product within 30 days from the date of purchase. If you have any questions concerning the money-back guarantee, please call 800-736-4648.

Remington Guarantees Satisfaction After 30 Days!

Remington 60-Day Money Back Guarantee*

If within 60 days after purchasing any Remington® product, you are not completely satisfied and would like a refund, return it with the original dated sales receipt directly to Remington and receive a full refund.** For questions concerning the money-back guarantee, please call 800-736-4648 in the U.S. *Applies to U.S. and Canadian customers' returns only. **Terms and conditions apply.

1. Refund will be in the form of a check issued in U.S. Dollars and will be provided only if all Terms and Conditions are met.
2. The following items must be returned to Remington and postmarked no later than 60 days after purchase of the Remington product:
 - a. The Remington product;
 - b. The original sales receipt indicating price and date purchased; and
 - c. The completed 60-day money back guarantee form located at RemingtonProducts.com/60day.
3. In addition, Remington, in its discretion, must determine that the returned product was used in accordance with the instruction booklet (included with the product at the time of purchase).
4. Returns should be mailed prepaid (no collect returns accepted) to:

Remington 60-Day MBG
507 Stokely Drive, Box 1
DeForest, WI 53532
5. Refund does not include postage costs for the return of the product, but will include applicable taxes paid by customer, if any.
6. No responsibility will be accepted for late, lost, stolen, misdirected or damaged product.
7. Please allow 4-6 weeks to receive your refund by check.

Questions or comments: Call 800-736-4648 in U.S. or visit RemingtonProducts.com

120 VAC 60Hz TYPE: S16AC

© Registered Trademark of Spectrum Brands, Inc.
© 2019 Spectrum Brands, Inc. 10/19 27017
Spectrum Brands, Inc.
Middleton, WI 53562
800-736-4648
Made in China
T22-7001331-A

