

Size: 19.685" x 17.5"

Care and Cleaning

This product contains no user serviceable parts. Refer service to qualified service personnel.

NOTE: TO MAINTAIN PERFORMANCE, DRY BLADES AFTER CLEANING.

CLEANING

- Before cleaning, turn off and unplug the unit. Lift the jar off the unit base, and rinse. For easier cleanup, rinse parts immediately after blending. Parts may be hand-washed.
- Do not immerse the base in liquid. Wipe the unit base with a damp cloth and dry thoroughly. Remove stubborn spots by rubbing with a damp cloth and nonabrasive cleaner.

Note: If liquids spill into the base, wipe with a damp cloth and dry thoroughly. Do not use rough scouring pads or cleansers on parts or finish.

- Removable parts can be washed by hand or in a dishwasher. Lid, lid cap, and blade assembly should be placed in the top rack only. The jar is bottom rack dishwasher-safe. Do not place jar or parts in boiling liquids.

How to Use

This product is for household use only.

GETTING STARTED

- Remove all labels, tags and stickers attached to the body or cord.
- Remove and save literature.

BLENDER JAR ASSEMBLY

- Before first use, wash all parts except the unit base. Put the gasket on top of the blade assembly.
 - Place the blade assembly into the jar base and turn the jar base clockwise until tight.
- For 220V units only: If the jar is not installed properly, the unit will not function.**

USING YOUR BLENDER

- Be sure the unit is OFF and plug the cord into a standard electrical outlet.
- Place the food to be blended into the jar and the lid on the jar before blending.
- Be sure that the lid cap is in place. When crushing ice or hard foods, keep one hand on the lid.
- Set the control to speed 1 or 2 according to your blending needs.
- Set the control to Pulse (P) for a few seconds, then release for quick or delicate blending tasks. Releasing the Pulse automatically turns the blender off.
- To add ingredients while the blender is on, and drop ingredients through the lid opening.
- When finished blending, set the control dial to OFF (0).
- To remove the jar, grasp the handle and lift up.
- Remove the lid before pouring.

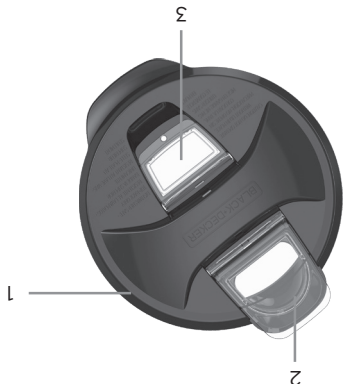
BLENDING TIPS AND TECHNIQUES

- Cut food into small pieces $\frac{3}{4}$ " (2 cm) before adding to the blender.
- When ingredients stick or spatter along the sides of the jar, stop the blending action and remove the lid. Use a rubber spatula to push food toward the blades. Replace the lid, then continue blending.
- Some of the tasks that cannot be performed efficiently with a blender are: beating egg whites, whipping cream, mashing potatoes, grinding meats, mixing dough, and extracting juices from fruits and vegetables.
- The following items should never be placed in the unit as they may cause damage: dried spices and herbs (ground alone), bones, large pieces of solidly frozen foods, tough foods such as turnips.
- We recommend using the Blender for 3 minutes of continuous use for 1 off, for all its functions or speeds.

Product may vary slightly from what is illustrated.



- Dual-opening lid
- Pour spout
- Ingredient slot
- Blending jar
- Handle
- PLASTIC 50 oz. (1.5 L)
- GLASS 42 oz. (1.25L)
- Blade assembly
- Gasket
- Jar base
- Blender base
- Rotary control with Pulse (P)
- On (I)/Off (O) and speed settings



SAVE THESE INSTRUCTIONS.

This product is for household use only.

POLARIZED PLUG (120V Models Only)

This appliance has a polarized plug (one blade is wider than the other). To reduce the risk of electric shock, this plug is intended to fit into a polarized outlet only one way. If the plug does not fit fully into the outlet, reverse the plug. If it still does not fit, contact a qualified electrician.

Close supervision is necessary when any appliance is used by or near children.

Unplug from outlet when not in use, before putting on or taking off parts, and before cleaning.

Avoid contacting moving parts.

Do not operate any appliance with a damaged cord or plug or after the

appliance malfunctions, or is dropped or damaged in any manner. Return

appliance to the nearest authorized service facility or call the appropriate toll-

free number on the front of this manual for examination, repair or electrical or

mechanical adjustment. Or, call the appropriate toll-free number on the cover of

this manual.

The use of attachments, including canning jars, not recommended by the

manufacturer may cause fire, electric shock or injury.

Do not use outdoors.

Do not let cord hang over edge of table or counter.

Keep hands and utensils out of container while blending to reduce the risk of

severe injury to persons or damage to the blender. A scraper may be used, but

must be used only when the blender is not running.

Blades are sharp. Handle carefully.

To reduce the risk of injury, never place cutter-assembly blades on base

without jar properly attached.

Always operate blender with cover in place.

When blending hot liquids, remove center piece of two-piece cover.

This appliance is not intended for use by persons (including children) with

reduced physical, sensory or mental capabilities, or lack of experience and

knowledge, unless they have been given supervision or instruction concerning

use of the appliance by a person responsible for their safety.

Children should be supervised to ensure that they do not play with the

appliance.

Be careful if hot liquid is poured into the food processor or blender as it can be

ejected out of the appliance due to a sudden steaming.



MODEL/MODELO

- BLBD202PW
- BLBD202GW
- BLBD202GW-PR
- BLBD202GW-CL

T22-5003465
10.31.2017

Comercializado por:
Spectrum Brands de México SA de CV.
Autopista México Querétaro No.3069-C, Oficina 004
Col. Centro Industrial Tlalnepantla CP 54030
Tlalnepantla, Estado de México
Tel. 01-800-714-2503.
Servicio y Reparación
Art. 123 No. 95
Col. Centro, C.P. 06050
Deleg. Cuauhtemoc
Servicio al Consumidor,
Venta de Refacciones y Accesorios
01 800 714 2503

BLBD202GW	550W 120V~ 60Hz
BLBD202GW-CL	550W 220V~ 50Hz
BLBD202PW	3.3A 120V~ 60 Hz
BLBD202GW-PR	3.3A 120V~ 60 Hz

Sello del Distribuidor:

Fecha de compra:

Modelo:

Código de fecha / Date Code

BLACK & DECKER, BLACK+DECKER, the BLACK & DECKER and BLACK+DECKER logos and product names are trademarks of The Black & Decker Corporation, used under license. All rights reserved.

BLACK & DECKER, BLACK+DECKER, the BLACK & DECKER y los logos y nombres de productos de BLACK+DECKER son marcas registradas de The Black & Decker Corporation, usados bajo licencia. Todos los derechos reservados.

© 2017 The Black & Decker Corporation and Spectrum Brands, Inc.
Middleton, WI 53562.

Made in China
Fabricado en China

Importado y Distribuido por:

RAYOVAC ARGENTINA S.R.L.
Humboldt 2495 Piso# 3
C1425FUG) C.A.B.A. Argentina
C.U.I.T NO. 30-70706168-1

Importado por / Imported by:

Spectrum Brands de México SA de CV
Autopista México Querétaro No.3069-C, Oficina 004
Col. Centro Industrial Tlalnepantla CP 54030
Tlalnepantla, Estado de México
Tel. 01-800-714-2503

Importado por / Imported by:

Spectrumbrands
En Chile, Household Products Chile Ltda
Av. Del Valle 570, Ofic. 704
Ciudad Empresarial, Huechuraba
Santiago - Chile
Fono: (562) 2571 3700

Importado por / Imported by:

Spectrum Brands Colombia S.A.
Carrera 17 No.89-40
Bogotá, Colombia
Línea de atención al cliente: 018000510012

